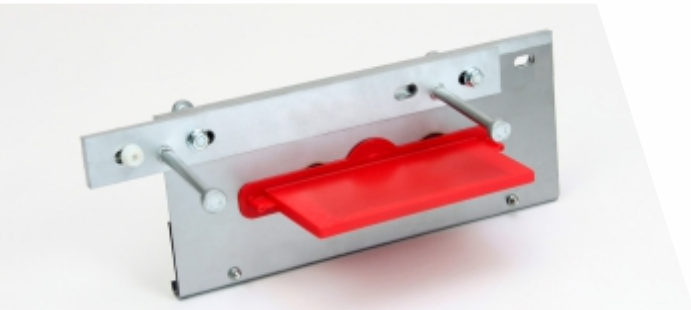


## Steel Armoured Joints For Floors



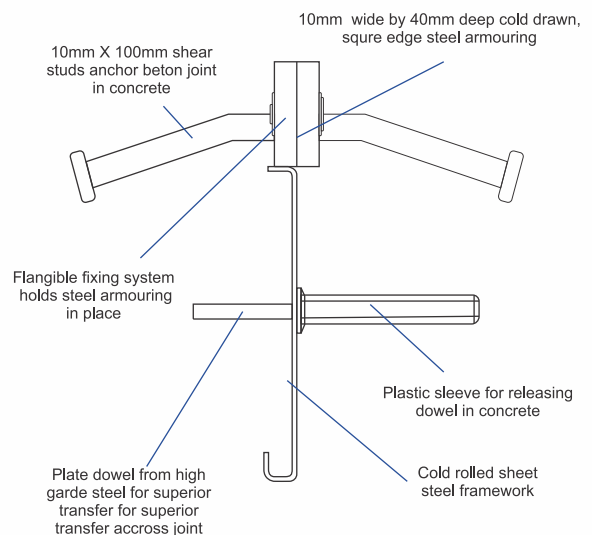
### Floor Panel Edge Armouring

Steel Joint provides heavy duty protection and armouring to floor panel edges by way of two solid, high specification, cold drawn steel sections each of 40mm deep x 10mm thick. The steel armouring is anchored to the concrete with shear studs.

### Dowels For Load Transfer

The dowel is positioned centrally across the joint, when the joint is closed. From the moment the joint opens, dowel engagement on the free side reduces, thus moving away from a condition of equal dowel engagement on both sides of the joint. Ultimately, with large joint openings there is a risk of the dowel becoming totally disengaged on the free side, the complete loss of load transfer across the joint and a failed floor.

Merits of Steel joint works differently. The joint opens, & moves towards a condition of equal dowel engagement. Even at a maximum joint opening of 20 mm, each side of the joint has 65 mm of dowel engagement. Steel plate dowels are made from a high grade steel (325N/mm<sup>2</sup> yield strength).



### Features

- Two high specification solid, cold drawn 40mm x 10mm thick steel armour edges trips with sharp corners for clean finish to concrete.
- Diameter 10mm x 100mm long, shear studs for anchorage into concrete.
- Frangible bolting system for temporarily holding the steel armours in place during concrete casting and collapses under concrete shrinkage forces.
- Rectangular 150mm x 100mm x 6mm plate dowel of high grade 325N / mm<sup>2</sup> steel for superior load transfer and maximum 20mm joint openings. Available in 6mm, 8mm or 12mm thickness at 600mm, 500mm or 430mm centres .
- Helps to ensure a trouble free floor joint for the life cycle of the flooring.

Nominal Slab Depth (mm)	Joint Height, h (mm)	Dowel Size (mm)	Dowel Spacing (mm)	Joint Length (mm)
150	125	150 x 100 x 6mm	500	3000
175	150			
200	175	150 x 100 x 10mm		
250	225			